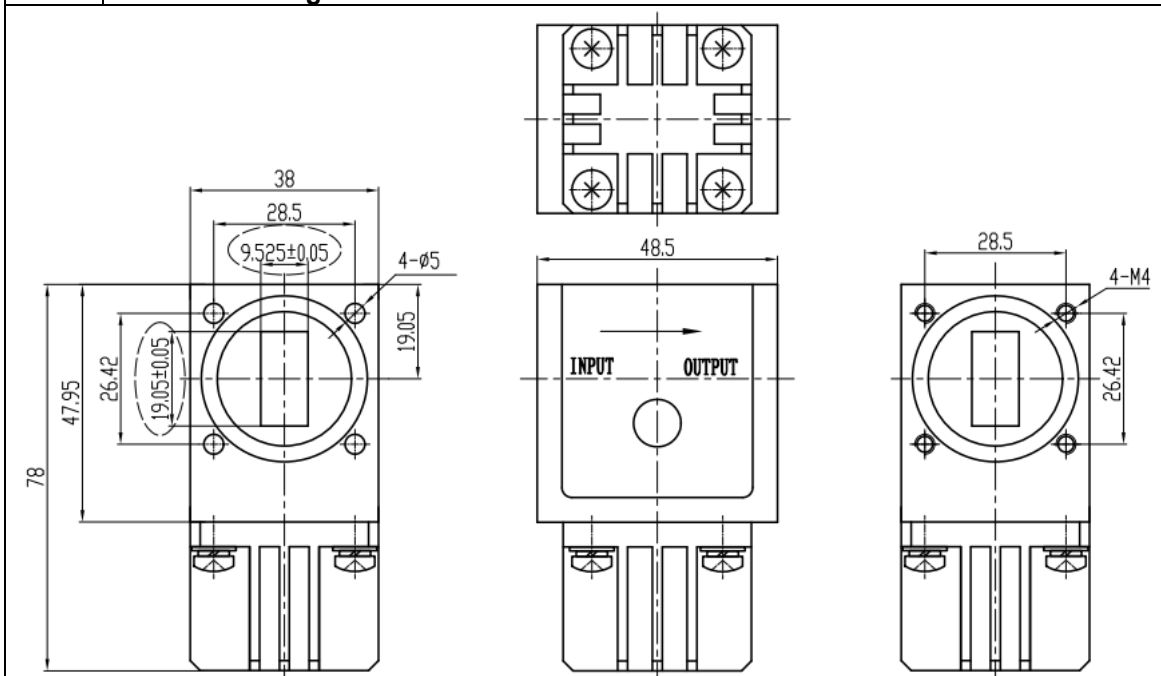


## High Power Waveguide Isolator

Part No: VT120WHPISO100MA

<b>1.0 Mechanical Specifications</b>	
1.1	Waveguide type
1.2	Flange type
1.3	Material
1.4	Inside Finish
1.5	Outside Finish
<b>2.0 Electrical Specifications</b>	
2.1	Frequency Range
2.2	VSWR (Max)
2.3	Insertion loss (Max)
2.4	Isolation (Min)
2.5	Power Handling (Forward)
2.6	Power Handling (Reverse)
<b>3.0 Outline Drawing</b>	
 <p>The drawing consists of three views: a front view on the left, a top view in the center, and a side view on the right. The front view shows a circular waveguide flange with a diameter of 78 mm and a central rectangular opening. Dimensions include a total width of 38 mm, a central opening width of 28.5 mm, and a hole diameter of 9.525 ± 0.05 mm. There are four holes of diameter 5 mm (4-∅5) spaced 19.05 mm from the center. The total height is 47.95 mm, with a central section height of 26.42 mm and a bottom section height of 19.05 mm. The top view shows a square flange with a side length of 48.5 mm and four mounting holes. The side view shows a rectangular profile with a width of 28.5 mm and a height of 26.42 mm, with four M4 mounting holes (4-M4).</p>	



## Revision History

Date	Revision	Changes
03-Feb-2010	1	First release

Information furnished is believed to be accurate and reliable. However, Vector Telecom assumes no responsibility for the consequences of use of such information nor for any infringement of patents or other rights of third parties which may result from its use. No license is granted by implication or otherwise under any patent or patent rights of Vector Telecom. Specifications mentioned in this publication are subject to change without notice. This publication supersedes and replaces all information previously supplied. Vector Telecom products are not authorized for use as critical components in life support devices or systems without express written approval of Vector Telecom.

The Vector Telecom logo is a registered trademark of Vector Telecom Pty Ltd.

© 2006 Vector Telecom Pty Ltd - All rights reserved

Email: [sales@vectortele.com](mailto:sales@vectortele.com)

**[www.vectortele.com](http://www.vectortele.com)**

**Vector Telecom Pty Ltd**

Level 40, 140 William Street, Melbourne VIC 3000, Australia  
Tel: +61 3 9607 8357 - Fax: +61 3 9607 8282 - [www.vectortele.com](http://www.vectortele.com)